

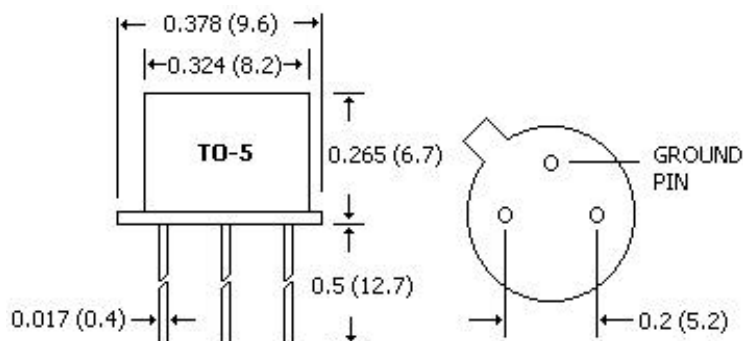
TO-5

MICROPROCESSOR CRYSTALS / RESISTANCE WELD

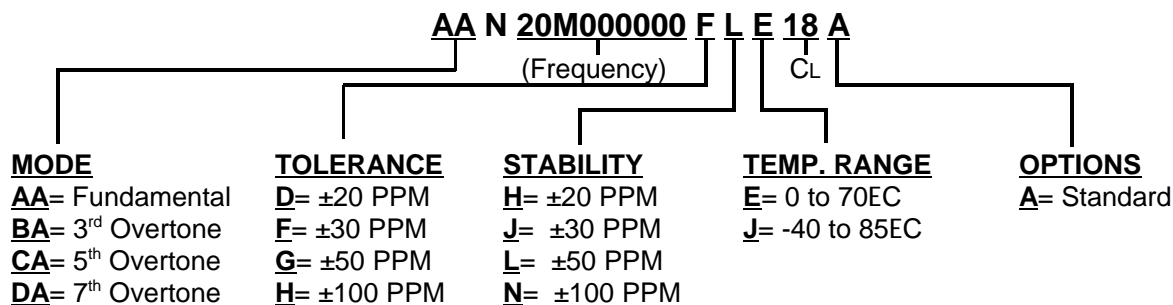
SPECIFICATION

Frequency Range	5 to 150.00MHz
Frequency Tolerance	± 50 PPM (Standard)
Frequency Stability	± 100 PPM (Standard)
Operating Temperature Range	0EC to 70EC (Standard)
Load Capacitance (C _L)	12pF to 50pF & Series
Shunt Capacitance	7pF Maximum
Drive Level	1mWatt Maximum
Aging	±5 PPM per year Maximum

Dimensions in In (mm)



TO-5 Part Number Break Down



Standard Crystal Corporation 9940 E. Baldwin Place, El Monte, Ca., 91731

Phone: (800) 423-4578, Fax: (626) 443-9049

www.standardcrystalcorp.com, E-Mail: stdxtl@pacbell.net